



D-MAX SYSTEM

For Young Turkeys Only

For improved environment and a healthier start.

PROVEN BENEFITS: Lower litter costs / Lower mortality / Reduced litter moisture / Reduced medication costs / Reduced condemnations / Reduced set-up time / Self-cleaning drinkers / Improved environment / Improved feed efficiency

1

Young turkeys raised on Ziggity's revolutionary D-Max drinkers perform better than turkeys raised from start to finish on bell or cup type systems. Results prove it.

2

Due to the innovative design, water is only released into the green reservoir when turkeys drink. As a result, water stays fresh and hygienic. And because very little water is spilled, the litter remains dry, and ammonia release is significantly reduced.

3

Cleaner water and improved environment promote stronger, healthier turkeys throughout the entire production cycle. What's more, D-Max drinkers are built strong to withstand demanding turkey environments.

4

D-Max drinkers provide better feed efficiency, lower medication costs, less mortality, improved litter and bird quality. No wonder turkey producers have found Ziggity D-Max drinkers essential for improving their bottom line!

D-Max Drinker Benefits

- Concave trigger pin for easy bird activation.
- Corrosion-resistant stainless steel components for long life.
- Exclusive twin-lock design keeps drinkers secure on pipe.
- Hardened stainless steel insert prevents drinker wear-out.

10-Year Prorated Drinker Warranty

on select drinker models illustrates our commitment to the quality of Ziggity drinkers.



While drinking turkeys push against the green reservoir with their neck, and a flow of fresh water is released into the drinker. Birds easily get all the water they need.

D-MAX™

Advanced Drinker Technology

Birds tip the the green reservoir with their neck to release more water as they drink. Made with corrosion-resistant stainless steel components and an exclusive twin-lock design to secure the drinker in the saddle. And thanks to its unique design, the water reservoir stays clean.



SCAN HERE

to discover more about Ziggity Systems.

The only enclosed watering system designed to meet the demands of young turkeys.



Flush Regulator

Delivers high water volume at the low pressure required for no-spill drinking. Built-in flush valve makes for easy removal of sediment, biofilm and air.



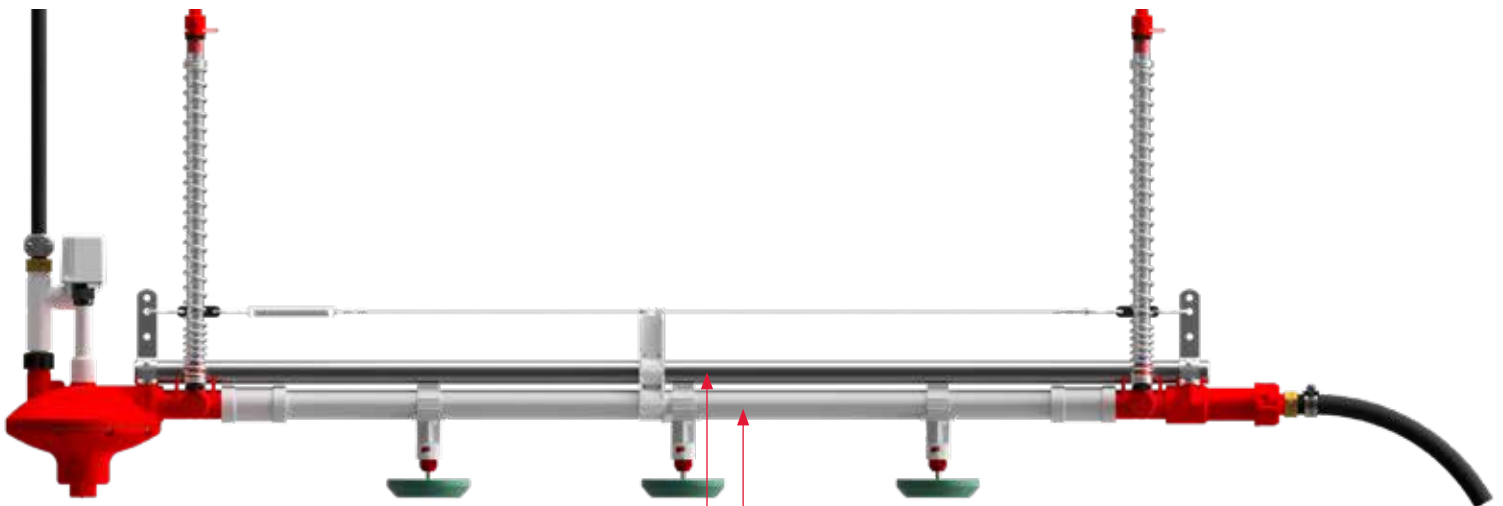
Auto Flush Regulator

For automatic and unattended system flushing – requires connection to a controller or timer with a 24 VAC output.



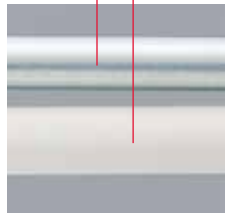
Flush End

Opens automatically during the flush mode for easy and effective flushing.



Galvanized Support Pipe

For best stability and strength use a threaded, galvanized pipe.



Large Diameter Pipe

Industry's largest water bearing pipe has virtually no internal obstructions for effective flushing.



100% FOCUSED

Ziggity Support:

As the only manufacturer 100 percent focused on poultry watering, Ziggity provides a number of available resources to optimize bird and system performance.



Web Site:

www.ziggity.com. Lots of useful product and watering information. View on computer or mobile device.



Poultry Watering Insights and Principles:

A source of real world information and advice.

www.poultrywatering.com



Management Procedures:

Helpful recommendations for managing Ziggity watering systems.

The Poultry Watering Specialists



Ziggity Systems Inc.
101 Industrial Parkway East
Middlebury Indiana 46540-8549
USA
Tel: +1 574.825.5849 • Fax: +1 574.825.7674
www.ziggity.com