



# T-MAX SYSTEM

For Adult Turkeys Only

## The only self-cleaning, built-to-survive drinker.

### PROVEN BENEFITS:

Improves bird health / Maximum weight performance / Reduces litter moisture and ammonia release / Reduces litter management / Improves feed efficiency / Lowers litter costs / Reduces undergrades and mortality / Reduces medication costs / Longer system life

1

Finally, an alternative to bell drinkers that outperforms other watering systems in all critical areas. The Ziggity T-Max adult turkey drinker is founded on proven concepts that made Ziggity number one in pout watering. Years of field research and fine-tuning has resulted in a drinker ideally suited to the adult turkey environment and the way turkeys drink.

2

Turkeys have poor eye-to-beak coordination, so we created a large target that turkeys can't miss. T-Max is designed to dispense fresh water with each drinking action, while minimizing spillage. Birds grow big. Litter stays drier, reducing ammonia release, ensuring healthier flocks.

3

T-Max tips and rotates while the turkey drinks. This action swishes water around, cleaning the activator, eliminating many hours of scrubbing required for traditional bell drinkers. Plus, field tests show that litter tilling can be dramatically reduced or eliminated.

4

Turkeys can rapidly wear out watering systems. Ziggity's flex-stem feature absorbs aggressive turkey behavior, reducing the risk of breakage and potential leaks.

### T-Max Drinker Benefits.

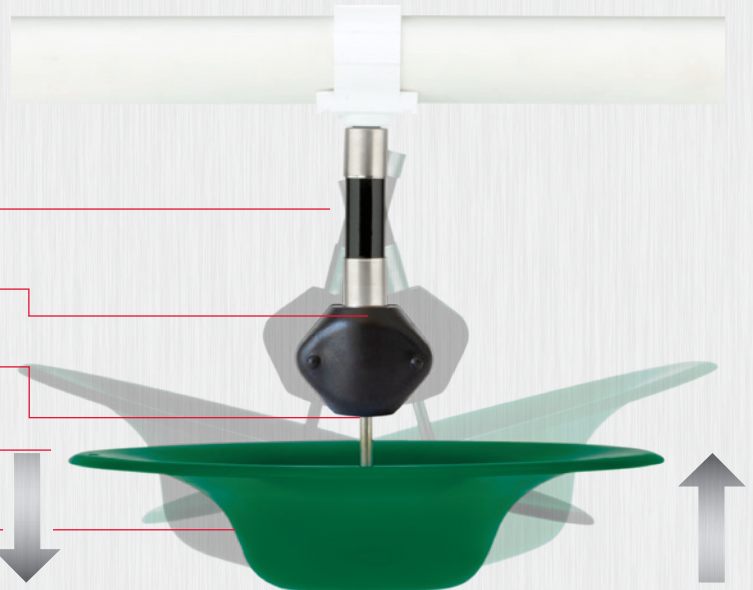
Flexible, shock-absorbing stem prevents breakage.

Reinforcement Clamp keeps the drinker secure in the flex saddle.

Corrosion-resistant stainless steel components for long life.

Activator tips and rotates so water swishes it clean as birds drink.

Made from long lasting heavy-duty materials and designed to prevent spillage.



## T-MAX

### Advanced Drinker Technology

T-Max features a heavy-duty drinker with a long trigger pin attached to a green water bearing activator. This design affords the turkey unobstructed access to water and, because turkeys are attracted to the color green, transitioning to T-Max drinkers is stress-free.

Visit [www.ziggity.com/turkey](http://www.ziggity.com/turkey) for a video demonstration.



SCAN HERE

to discover more about Ziggity Systems.

# The same concept that makes Ziggity the leader in poultry watering is also available for adult turkeys.



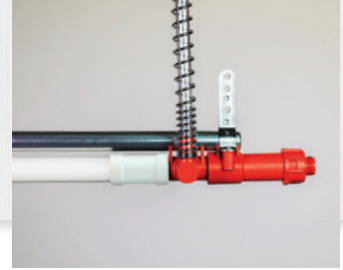
## Flush Regulator

Delivers high water volume at the low pressure required for no-spill drinking. Built-in flush valve makes for easy removal of sediment, biofilm and air.



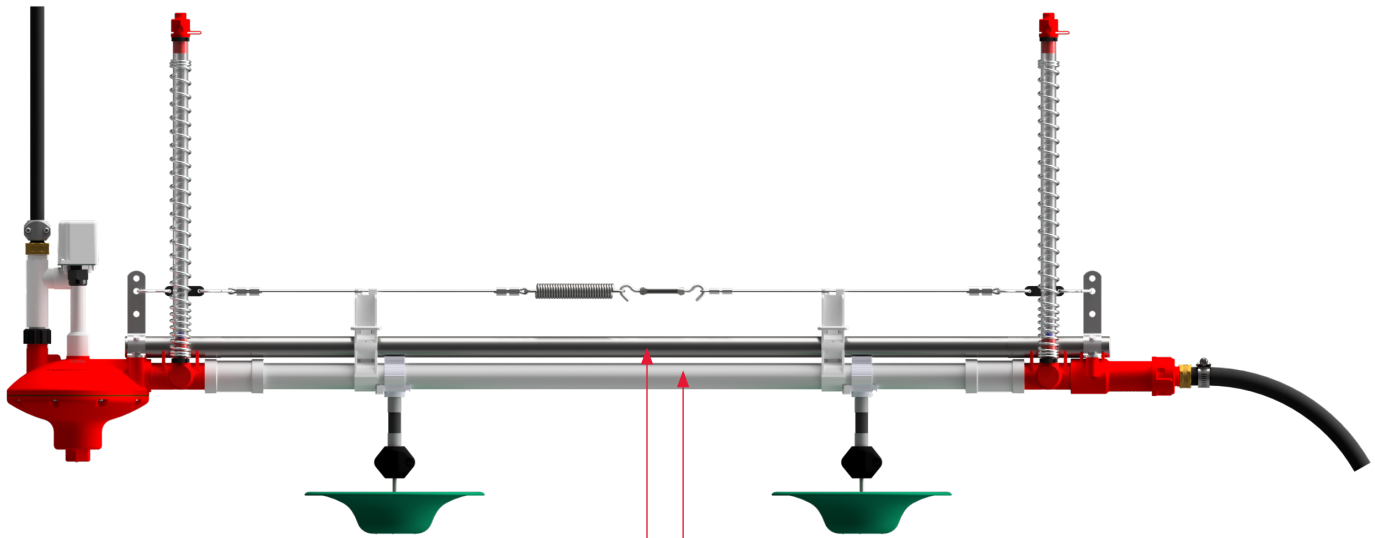
## Auto Flush Regulator

For automatic and unattended system flushing – requires connection to a controller or timer with a 24 VAC output.

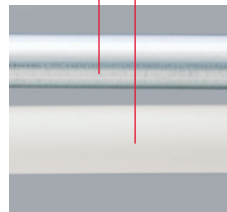


## Flush End

Opens automatically during the flush mode for easy and effective flushing.



**Galvanized Support Pipe**  
For best stability and strength use a threaded, galvanized pipe.



## Large Diameter Pipe

Industry's largest water bearing pipe has virtually no internal obstructions for effective flushing.



100% FOCUSED

## Ziggity Support:

As the only manufacturer 100 percent focused on poultry watering, Ziggity provides a number of available resources to optimize bird and system performance.



## Web Site:

[www.ziggity.com](http://www.ziggity.com). Lots of useful product and watering information. View on computer or mobile device.



## Poultry Watering Insights and Principles:

A source of real world information and advice.

[www.poultrywatering.com](http://www.poultrywatering.com)



## Management Procedures:

Helpful recommendations for managing Ziggity watering systems.

**The Poultry Watering Specialists**



Ziggity Systems Inc.

101 Industrial Parkway East  
Middlebury Indiana 46540-8549  
USA

Tel: +1 574.825.5849 • Fax: +1 574.825.7674

[www.ziggity.com](http://www.ziggity.com)