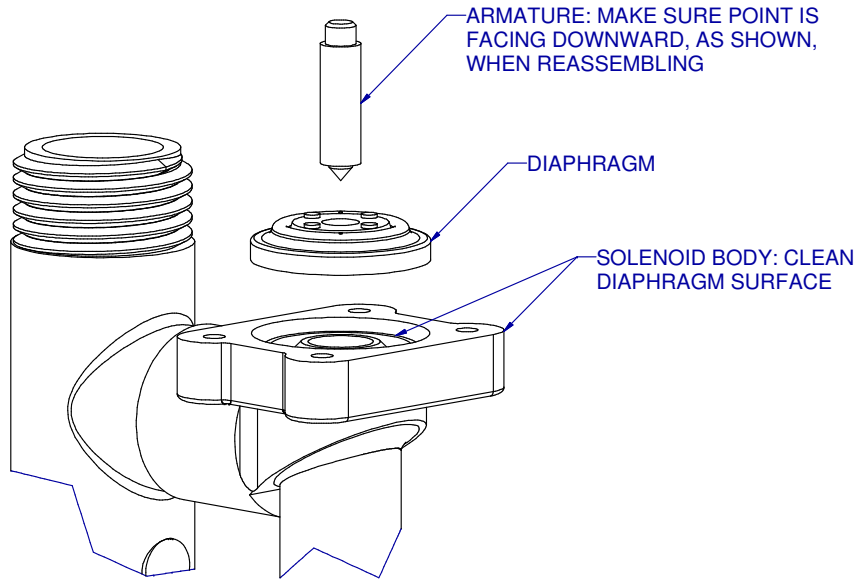
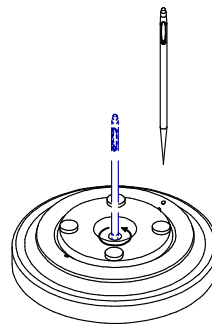


DIRECTIONS:

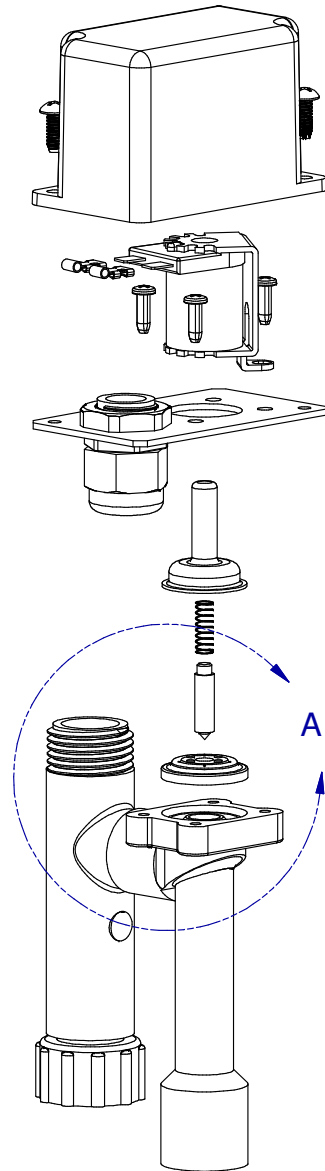
- 1.) DISASSEMBLE SOLENOID VALVE.
- 2.) CLEAN SOLENOID BODY, DIAPHRAGM, AND ANY OTHER PARTS THAT APPEAR DIRTY WITH WARM SOAPY WATER AND A TOOTHBRUSH. BE CAREFUL NOT TO TEAR THE DIAPHRAGM.
- 3.) IF DIAPHRAGM HOLES ARE PLUGGED, USE A NEEDLE TO PUSH DEBRIS OUT. GENTLY USE A CIRCULAR MOTION TO FURTHER REMOVE DEBRIS. NOTE **DETAIL B**.
- 4.) REASSEMBLE SOLENOID VALVE AS SHOWN.



DETAIL A



DETAIL B



EXPLODED VIEW



MAINTENANCE: SOLENOID
FLUSH VALVE PT NR. 1573 & 2672

PART NR.:

GL1023

DATE: 06-03-03

REVISION: 2