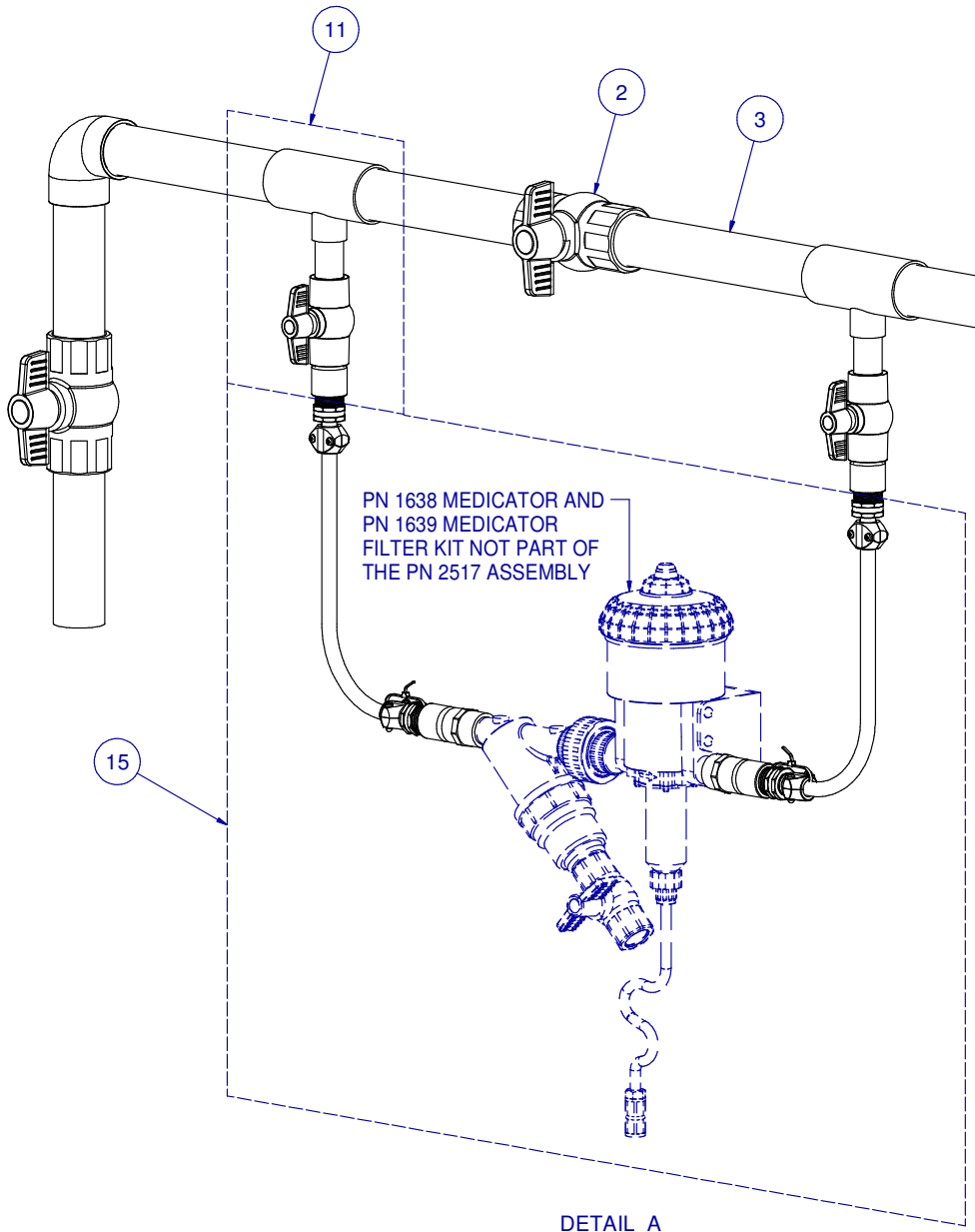


DETAIL B

DETAIL C





ITEM	PART NR.	DESCRIPTION
1	1334	FITTING: PVC TEE 1 1/2"
2	1580	FITTING: PVC BALL VALVE 1 1/2"
3	1352	PIPE: 1 1/2" PVC X 10/3.048 M
4	1154	FITTING: PVC MALE ADAPTER 1" X 1" MNPT
5	1338	FITTING: PVC REDUCING BUSHING 1" X 1 1/2" SPIGOT
6	1578	FITTING: PVC COUPLING 1 1/2"
7	775	FILTER: 1"
8	1581	FITTING: PVC ADAPTER 1" SLIP X 1" FNPT
9	770	WATER METER: 1" - USG
10	1333	FITTING: PVC ELBOW 1 1/2"
11	1721	REGULATOR SUPPLY VALVE UNIT: TEE 1 1/2"
12	3858	COUPLING: FHT X 1/2" BARB
13	1788	HOSE: REG WATER SUPPLY 1/2" X 60FT/18M
14	2459	REGULATOR SUPPLY VALVE: ELBOW UNIT 1.5" PVC X MHT
15	2517	MEDICATOR HOOK UP ASSEMBLY: DOSATRON

NOTE:

- 1.) IF YOU HAVE PN 1374 (WHITE)
USE PN 3858 COUPLER FHT
- 2.) IF YOU HAVE PN 1373 (RED)
USE PN 3862 COUPLER FNPT

