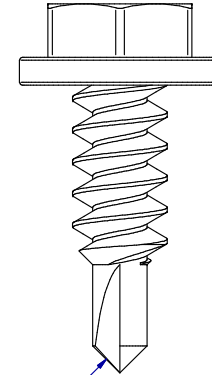
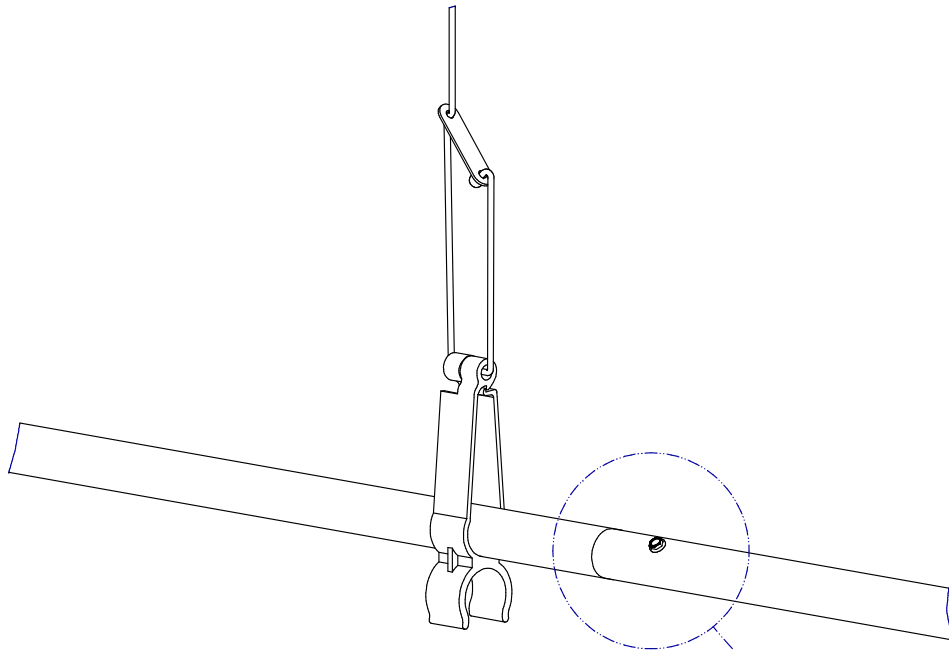
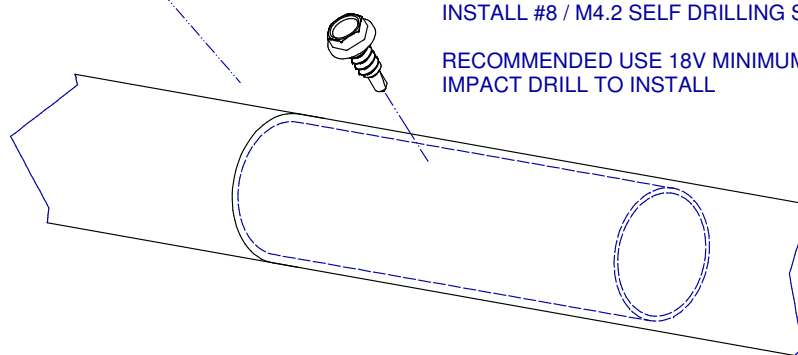


SCALE:



SELF-DRILLING TIP ON SCREW



INSTALL #8 / M4.2 SELF DRILLING SCREW

RECOMMENDED USE 18V MINIMUM
IMPACT DRILL TO INSTALL



INSTALLATION: PREVENTING SUPPORT PIPE
SEPARATION

PART NR.:

DATE: 11-02-05

REVISION: 3

GL1055