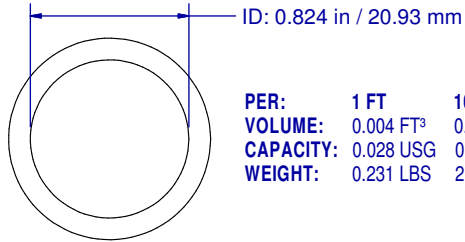


VOLUME, CAPACITY & WEIGHT

SCALE: 100%

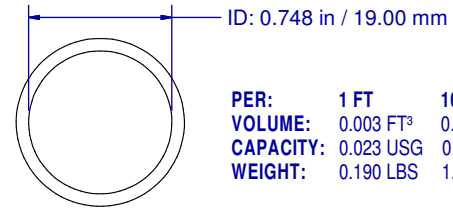
WATER SUPPLY



PER:	1 FT	10 FT	1 M	3 M
VOLUME:	0.004 FT ³	0.037 FT ³	0.0001 M ³	0.0010 M ³
CAPACITY:	0.028 USG	0.277 USG	0.1049 LITRES	1.0477 LITRES
WEIGHT:	0.231 LBS	2.308 LBS	0.1048 KG	1.0469 KG

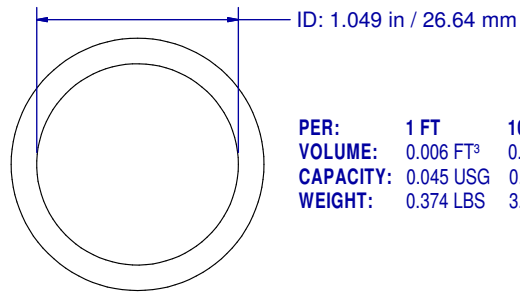
3/4" PVC - SCH 40

ZIGGITY



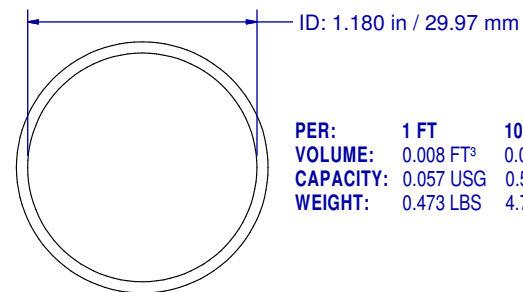
PER:	1 FT	10 FT	1 M	3 M
VOLUME:	0.003 FT ³	0.031 FT ³	0.0001 M ³	0.0009 M ³
CAPACITY:	0.023 USG	0.232 USG	0.0864 LITRES	0.8778 LITRES
WEIGHT:	0.190 LBS	1.902 LBS	0.0862 KG	0.8627 KG

ACE



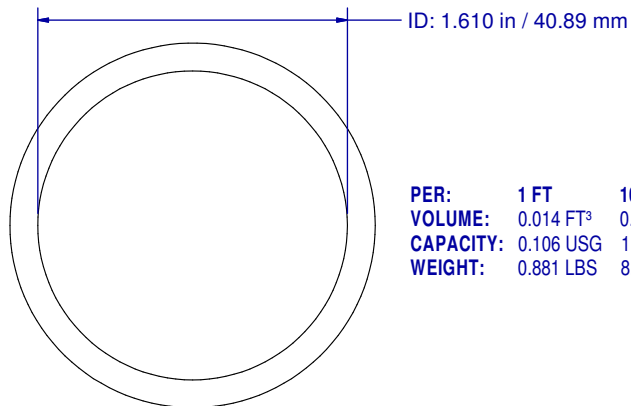
PER:	1 FT	10 FT	1 M	3 M
VOLUME:	0.006 FT ³	0.060 FT ³	0.0002 M ³	0.0017 M ³
CAPACITY:	0.045 USG	0.449 USG	0.1700 LITRES	1.6990 LITRES
WEIGHT:	0.374 LBS	3.740 LBS	0.1696 KG	1.6964 KG

1" PVC - SCH 40



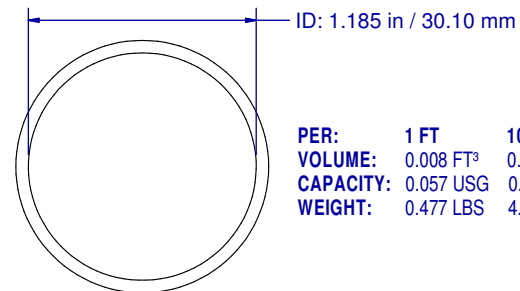
PER:	1 FT	10 FT	1 M	3 M
VOLUME:	0.008 FT ³	0.076 FT ³	0.0002 M ³	0.0022 M ³
CAPACITY:	0.057 USG	0.569 USG	0.2150 LITRES	2.1521 LITRES
WEIGHT:	0.473 LBS	4.733 LBS	0.2145 KG	2.1469 KG

BIG ACE



PER:	1 FT	10 FT	1 M	3 M
VOLUME:	0.014 FT ³	0.141 FT ³	0.0004 M ³	0.0040 M ³
CAPACITY:	0.106 USG	1.055 USG	0.4003 LITRES	3.9927 LITRES
WEIGHT:	0.881 LBS	8.811 LBS	0.3996 KG	3.9966 KG

1-1/2" PVC - SCH 40



PER:	1 FT	10 FT	1 M	3 M
VOLUME:	0.008 FT ³	0.077 FT ³	0.0002 M ³	0.0022 M ³
CAPACITY:	0.057 USG	0.576 USG	0.2169 LITRES	2.1804 LITRES
WEIGHT:	0.477 LBS	4.773 LBS	0.2164 KG	2.1650 KG

1" PVC - SDR 21



VOLUME, CAPACITY & WEIGHT: WATER SUPPLY & ZIGGITY PIPES

PART NR.:

DATE: 08-04-11

REVISION: 2

GL1074